

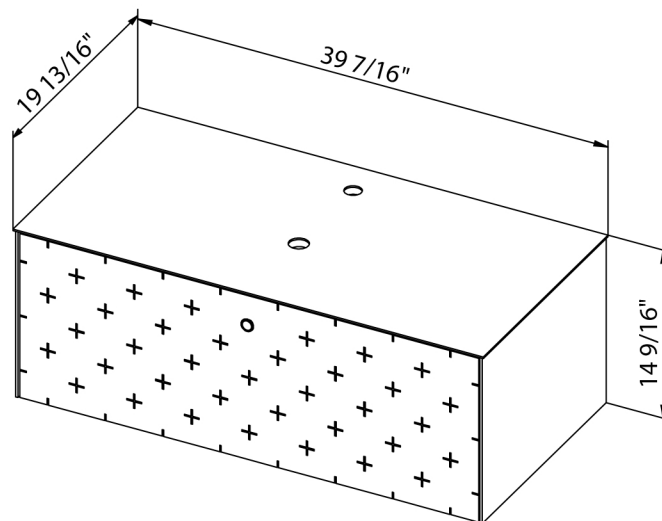
# ADEL 40"

**Category:** Bathroom Vanity

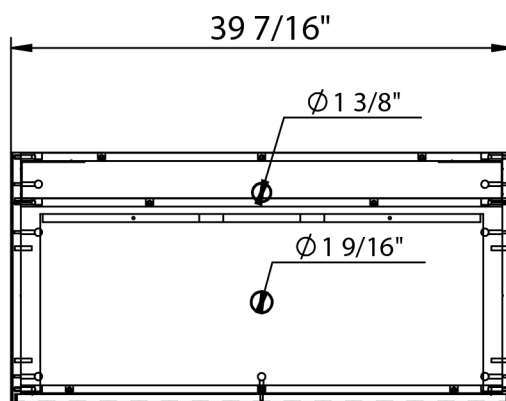
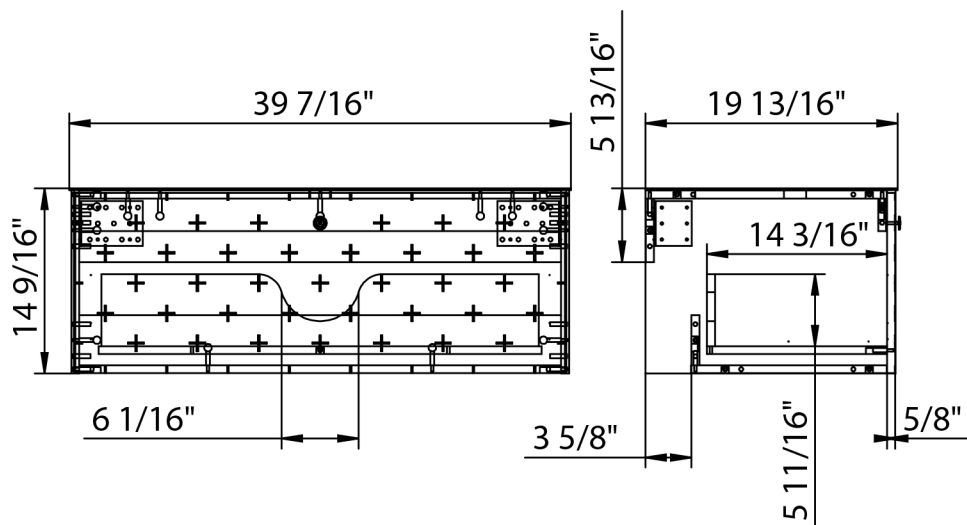
**Material:** Wood

**Dimensions:**

39.4" (L) x 19.8" (W) x 14.5" (H)

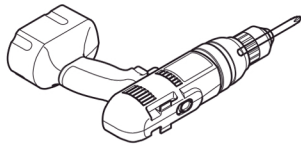


## Technical Data

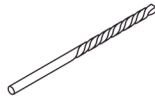


\*Numbers are in inches

### TOOLS REQUIRED FOR ASSEMBLY



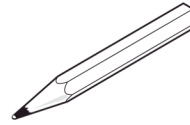
Electrical Drill



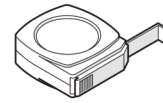
Drill Bit



Bolt Bit



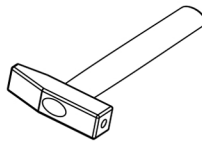
Pencil



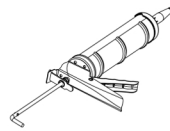
Tape Measure



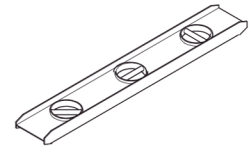
Phillips  
Screwdriver



Hammer



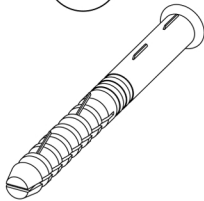
Silicone



Level

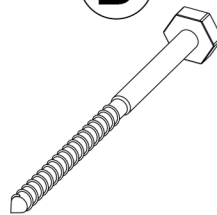
### FURNITURE

**A**



4 PCS

**B**



4 PCS

**C**



4 PCS

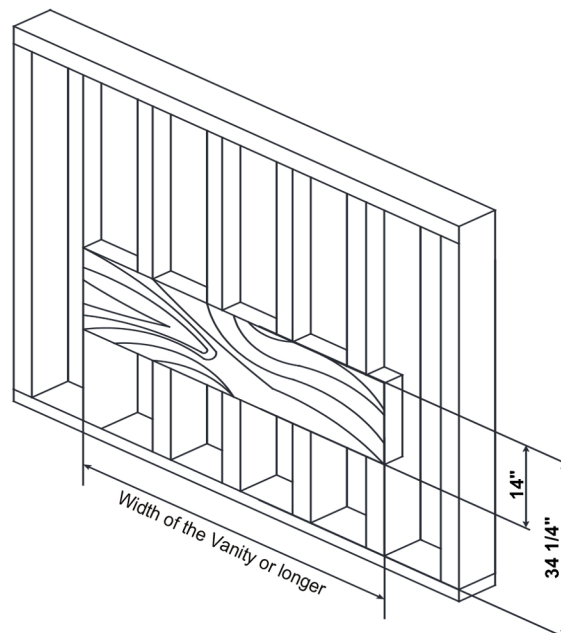
**D**



2 PCS

### Wall Preparation

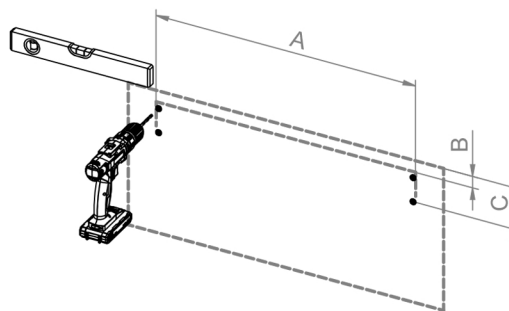
The recommended height for a console cabinet with sink is 33-1/2". This requires installing a 14" wide wood panel to a height of 34-1/4". If an alternate height desired, adjust the rough-in and backing material heights using the dimensions provided.



**STEP 1.**

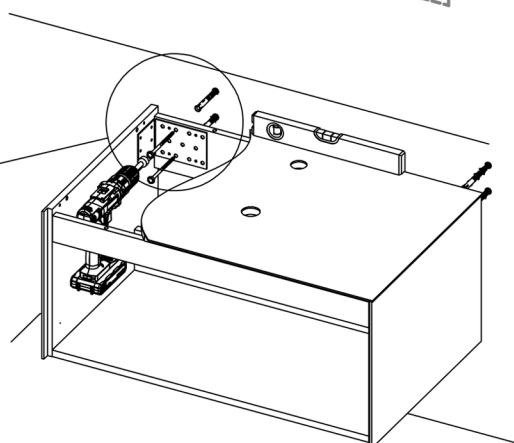
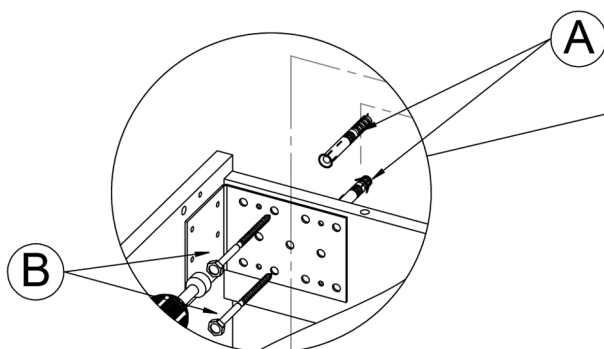
Marking for the cabinet  
Having decided on the location of the cabinet, we mark and drill holes in the wall measuring the distance A, B, C

**WARNING:**  
Before installing the cabinet must be removed drawers.



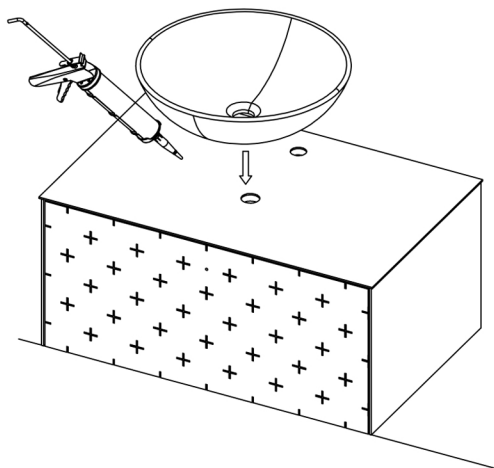
**STEP 2.**

Install the cabinet on the drilled holes



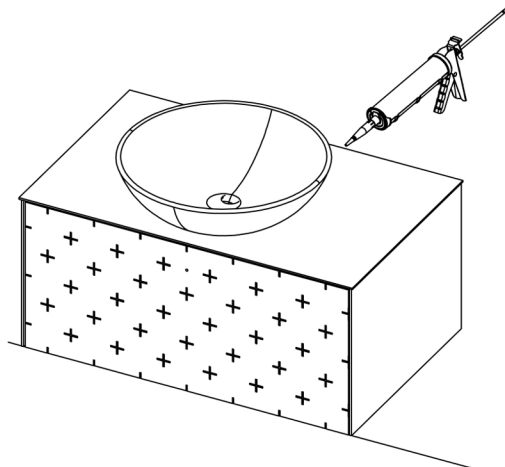
**STEP 3.**

Install sink top with Silicone



**STEP 4.**

Fill the side against the wall with Silicone and finish



**STEP 5.**

Attach the handles to the cabinet

