



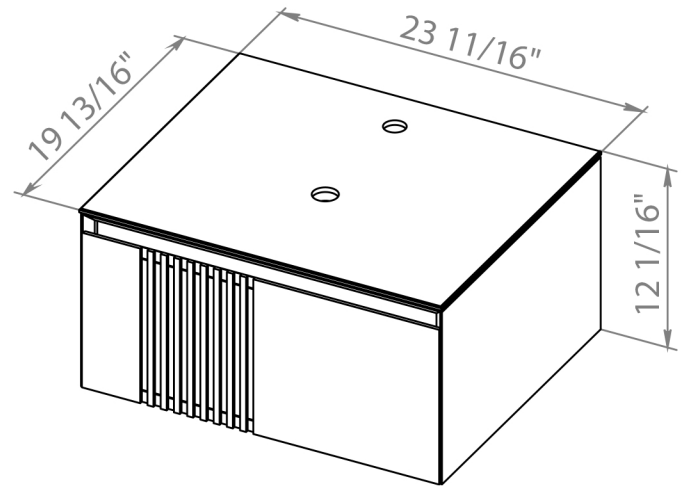
MANHATTAN 24"

Category: Bathroom Vanity

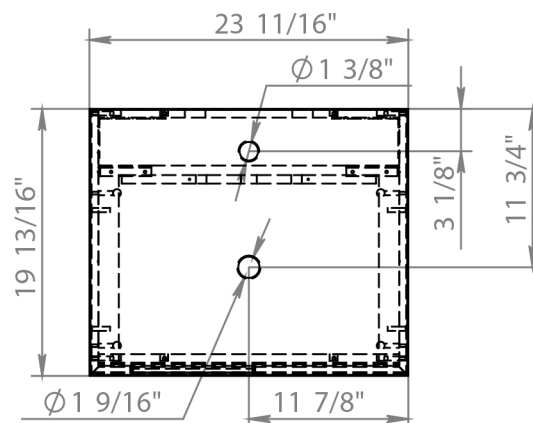
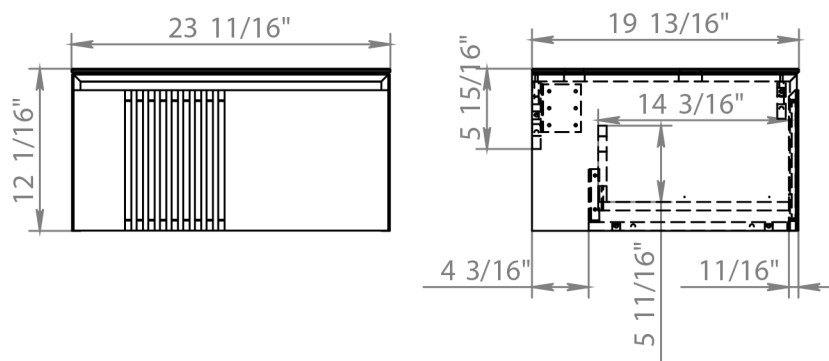
Material: Wood

Dimensions:

23.6" (L) x 19.8" (W) x 12.0" (H)

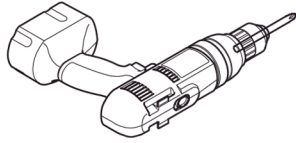


Technical Data

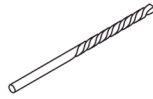


*Numbers are in inches

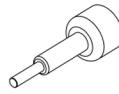
TOOLS REQUIRED FOR ASSEMBLY



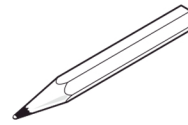
Electrical Drill



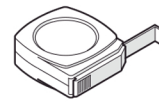
Drill Bit



Bolt Bit



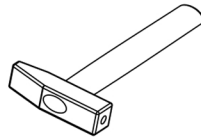
Pencil



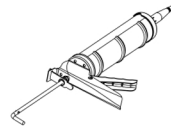
Tape Measure



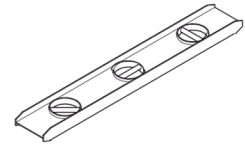
Phillips
Screwdriver



Hammer



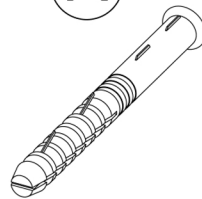
Silicone



Level

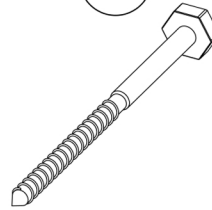
FURNITURE

A



4 PCS

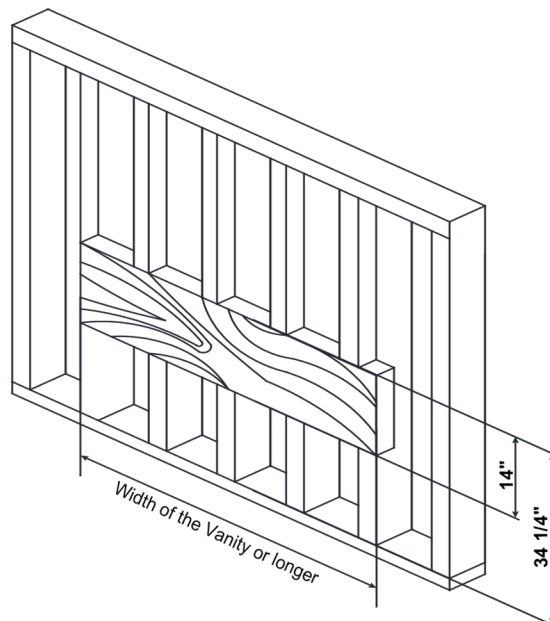
B



4 PCS

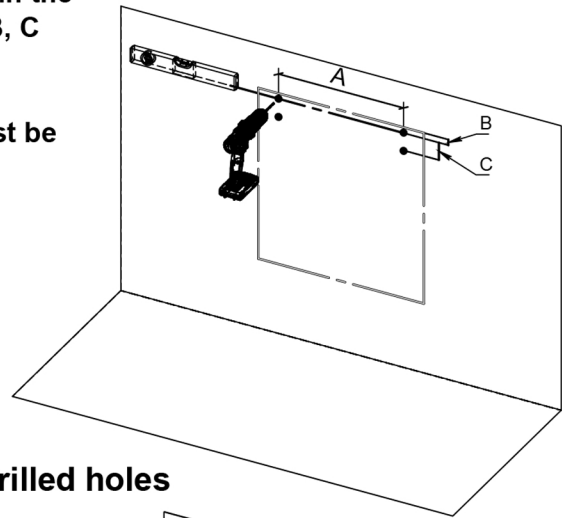
Wall Preparation

The recommended height for a console cabinet with sink is 33-1/2". This requires installing a 14" wide wood panel to a height of 34-1/4". If an alternate height desired, adjust the rough-in and backing material heights using the dimensions provided.

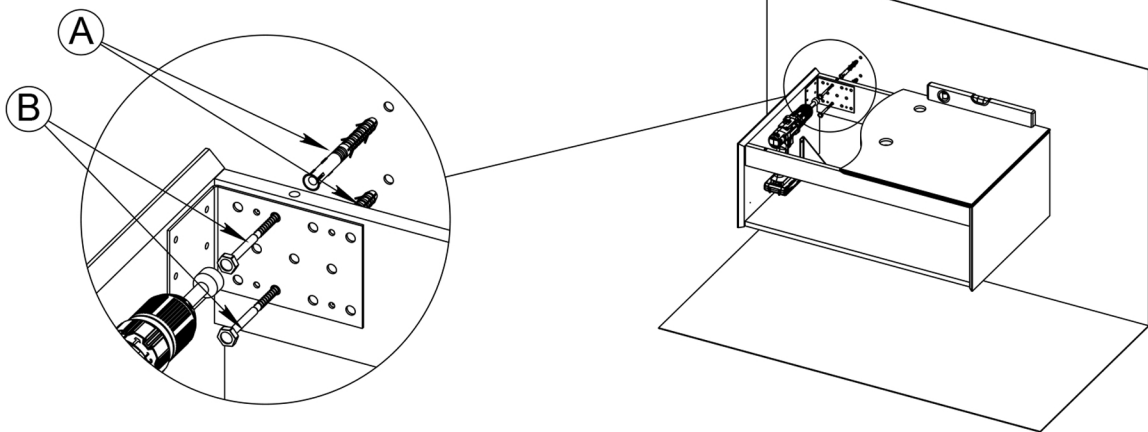


STEP 1. Marking for the cabinet
Having decided on the location of the cabinet, we mark and drill holes in the wall measuring the distance A, B, C

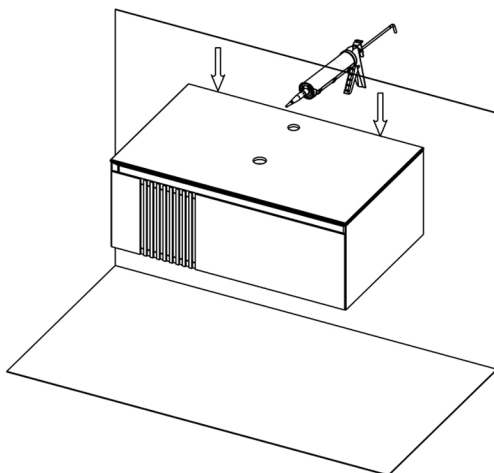
WARNING:
Before installing the cabinet must be removed drawers.



STEP 2. Install the cabinet on the drilled holes



STEP 3. Fill the side against the wall with Silicone and finish



STEP 4. Install sink top with Silicone

