



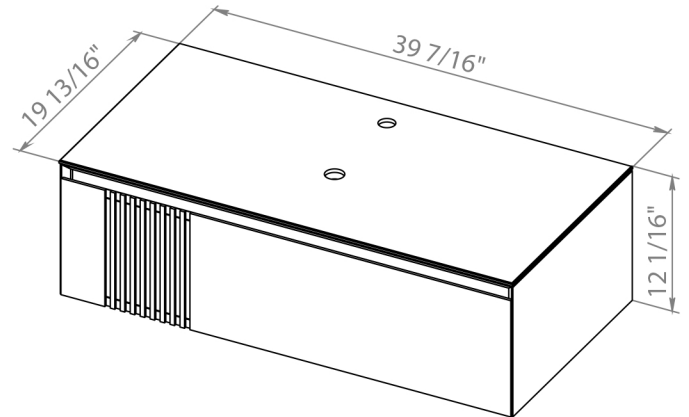
MANHATTAN 40"

Category: Bathroom Vanity

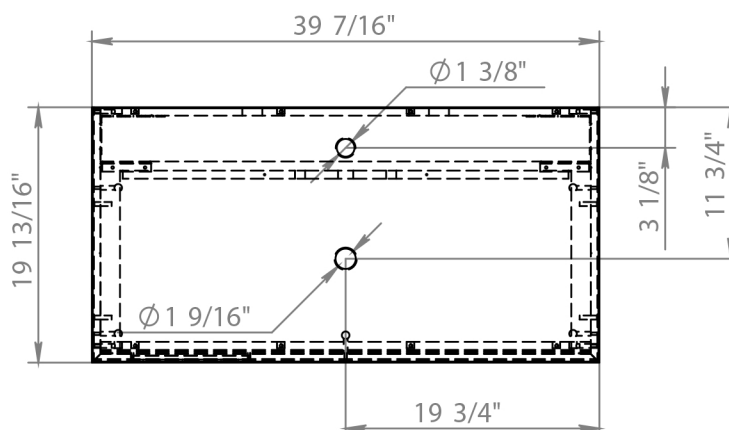
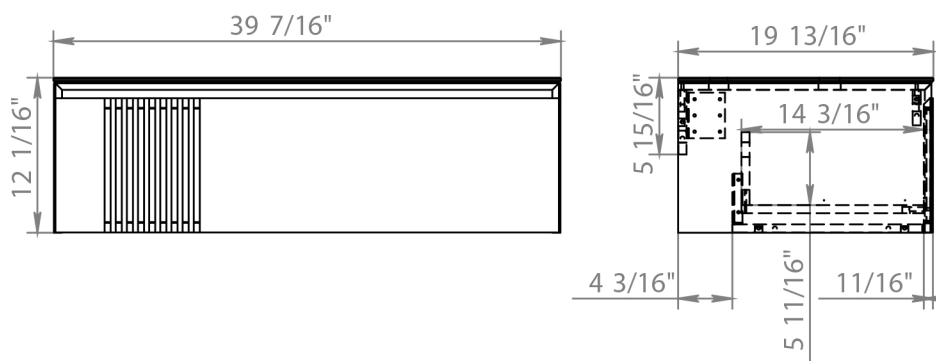
Material: Wood

Dimensions:

39.4" (L) x 19.8" (W) x 12.0" (H)

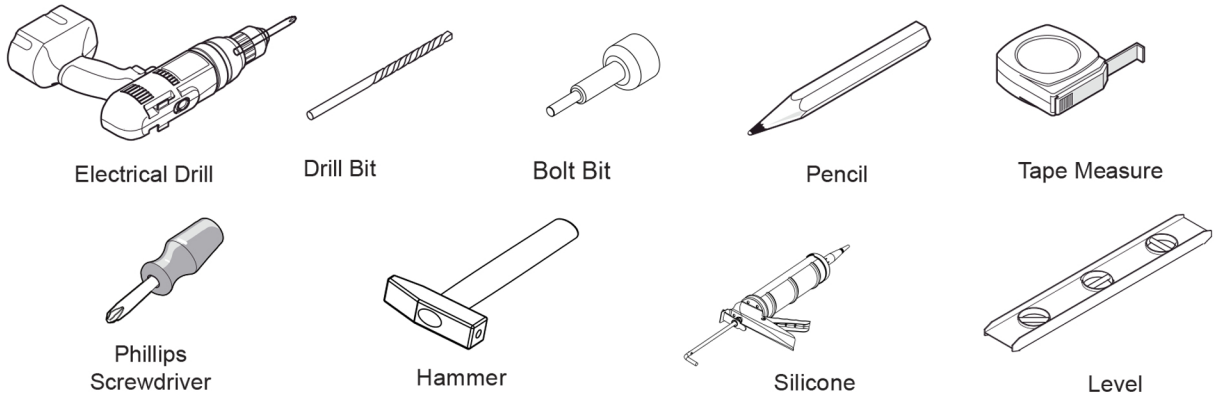


Technical Data

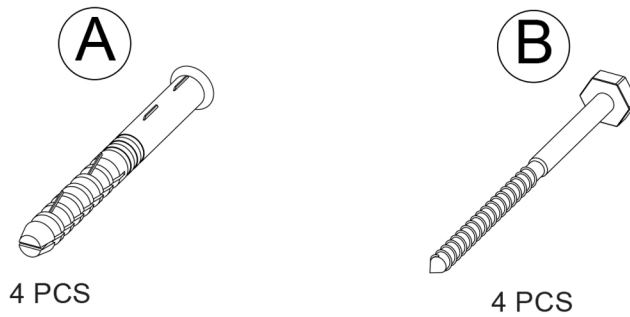


*Numbers are in inches

TOOLS REQUIRED FOR ASSEMBLY

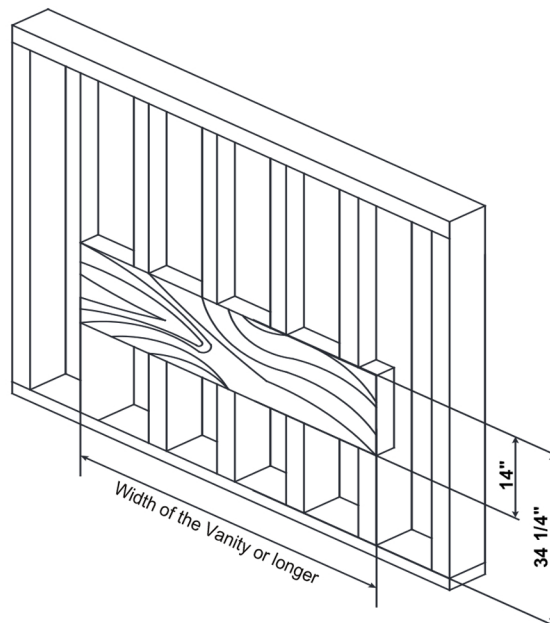


FURNITURE



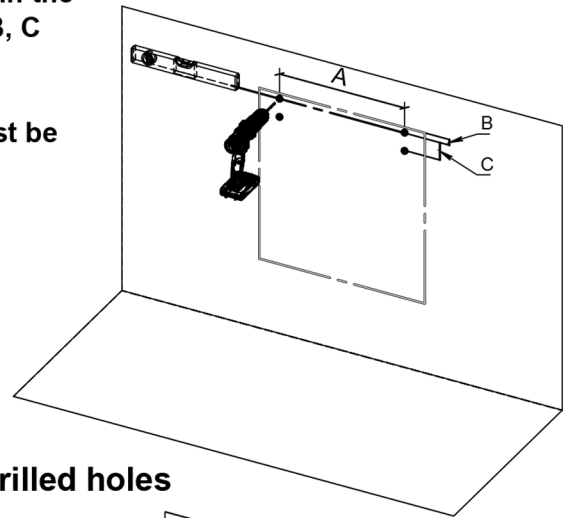
Wall Preparation

The recommended height for a console cabinet with sink is 33-1/2". This requires installing a 14" wide wood panel to a height of 34-1/4".
 If an alternate height desired, adjust the rough-in and backing material heights using the dimensions provided.

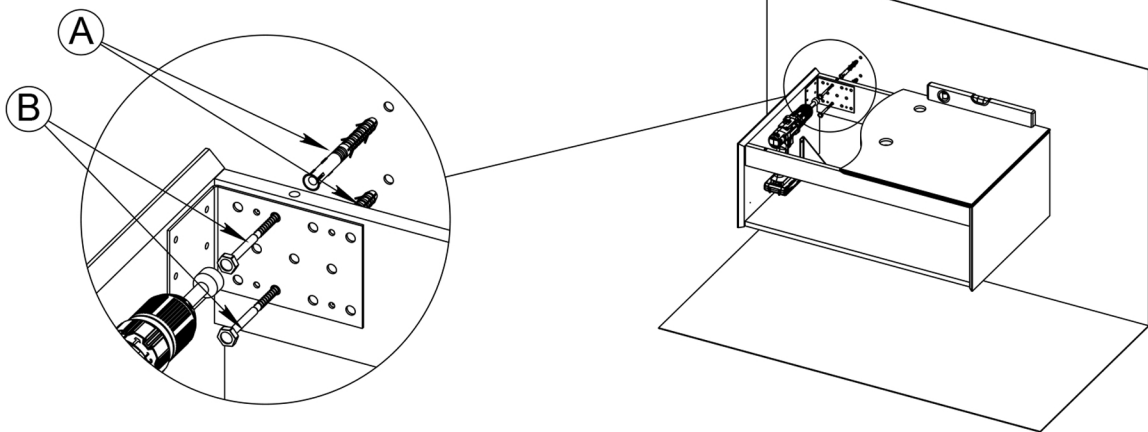


STEP 1. Marking for the cabinet
Having decided on the location of the cabinet, we mark and drill holes in the wall measuring the distance A, B, C

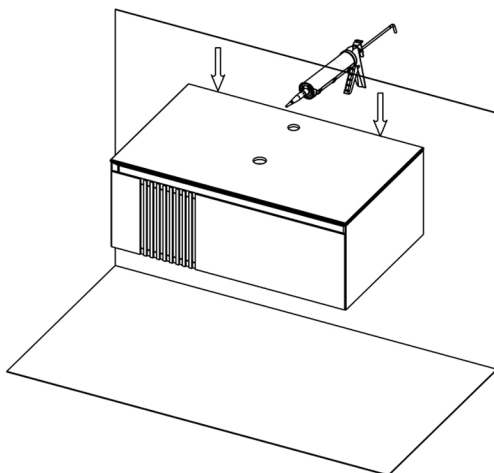
WARNING:
Before installing the cabinet must be removed drawers.



STEP 2. Install the cabinet on the drilled holes



STEP 3. Fill the side against the wall with Silicone and finish



STEP 4. Install sink top with Silicone

