

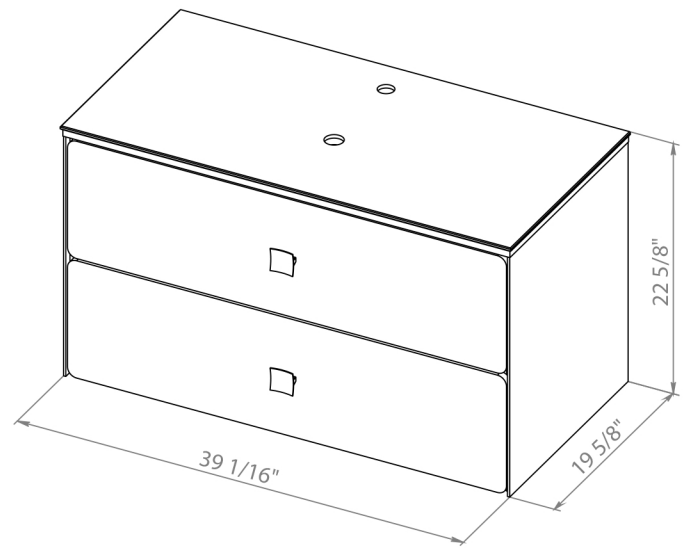
ASTON 40"

Category: Bathroom Vanity

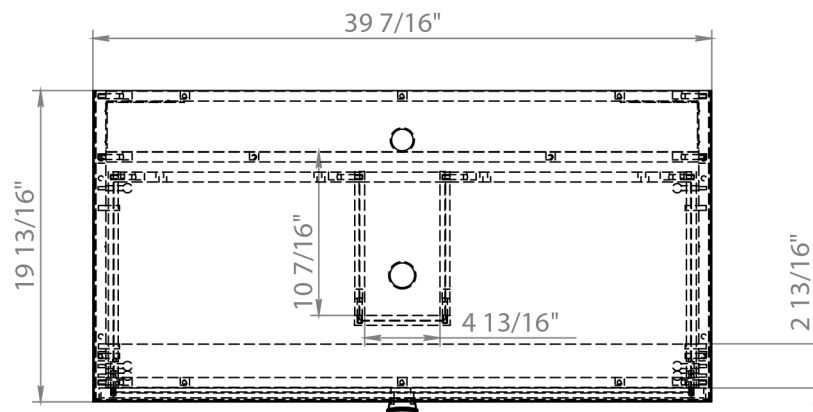
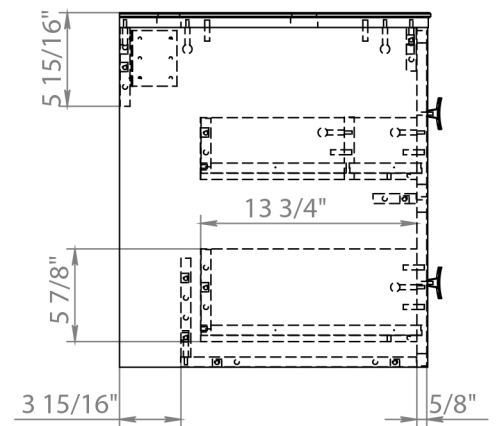
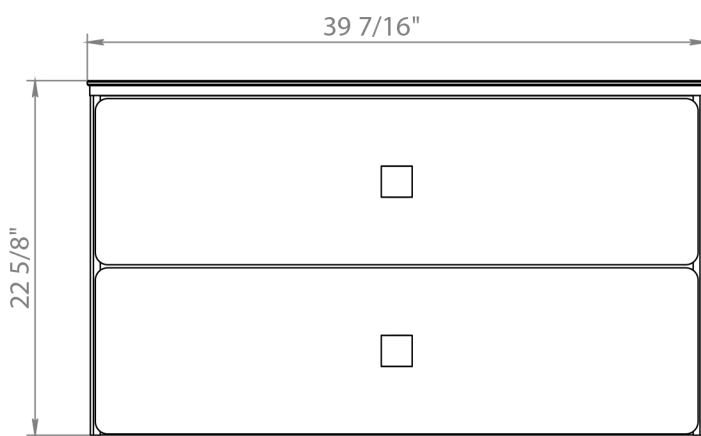
Material: Wood

Dimensions:

39.0" (L) x 19.6" (W) x 22.6" (H)

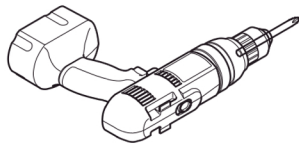


Technical Data

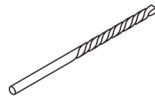


*Numbers are in inches

TOOLS REQUIRED FOR ASSEMBLY



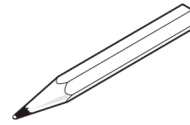
Electrical Drill



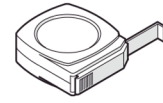
Drill Bit



Bolt Bit



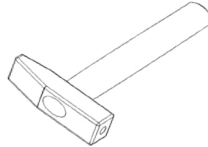
Pencil



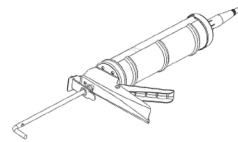
Tape Measure



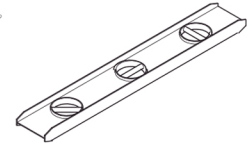
Phillips
Screwdriver



Hammer



Silicone



Level

FURNITURE

(A)



4 PCS

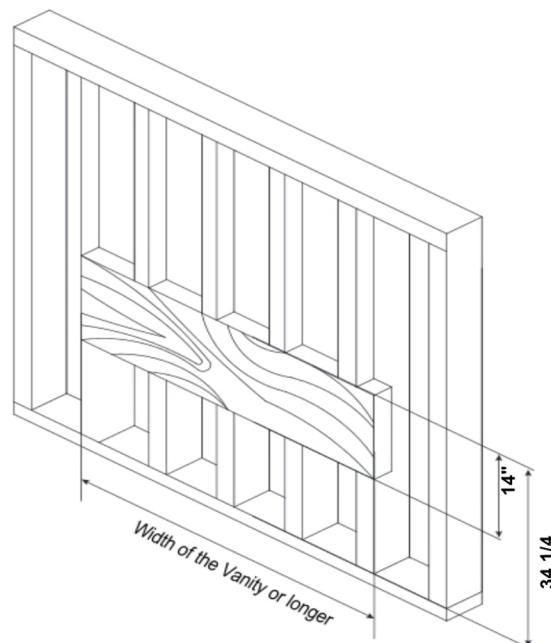
(B)



4 PCS

Wall Preparation

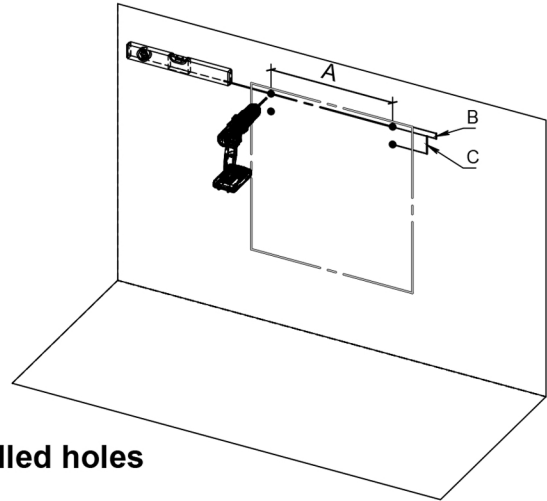
The recommended height for a console cabinet with sink is 33-1/2". This requires installing a 14" wide wood panel to a height of 34-1/4".
If an alternate height desired, adjust the rough-in and backing material heights using the dimensions provided.



STEP 1.

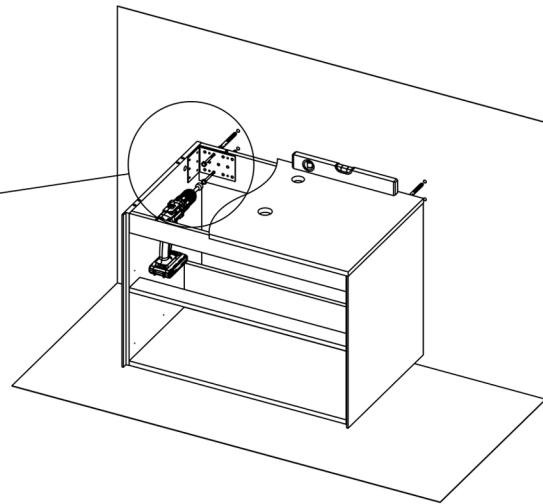
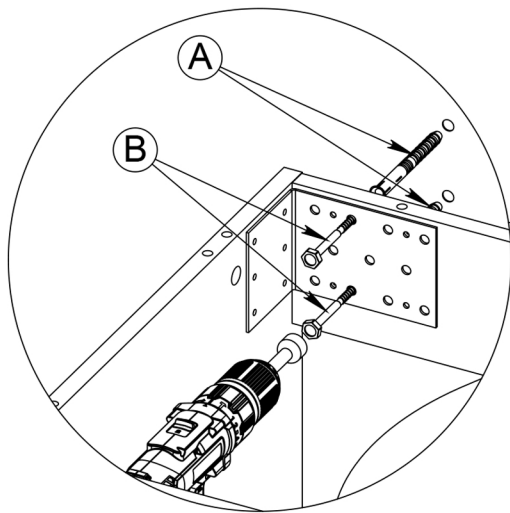
Marking for the cabinet

Having decided on the location of the cabinet, we mark and drill holes in the wall measuring the distance A, B, C



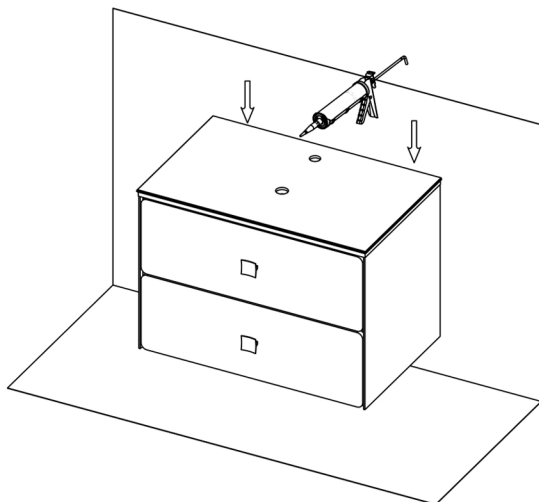
STEP 2.

Install the cabinet on the drilled holes



STEP 3.

Fill the side against the wall with Silicone and finish



Install sink top with Silicone

