



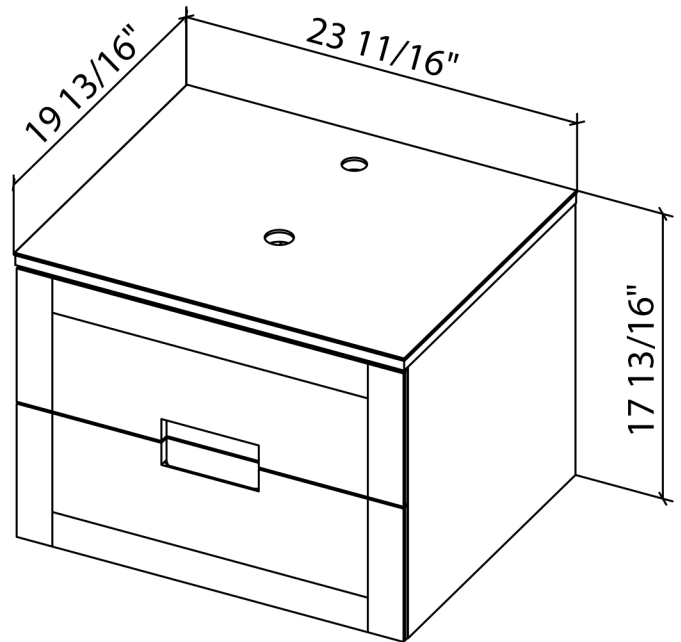
# TAYLOR 24"

Category: Bathroom Vanity

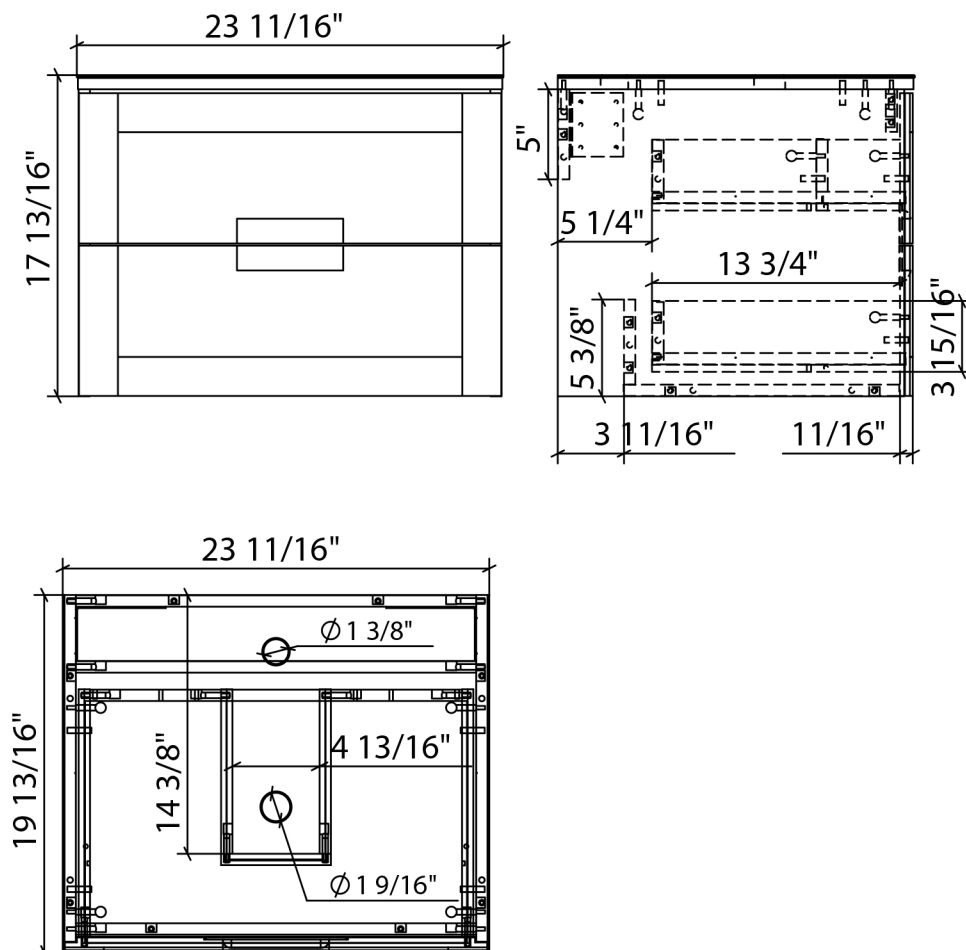
Material: Wood

Dimensions:

23.6" (L) x 19.8" (W) x 17.8" (H)

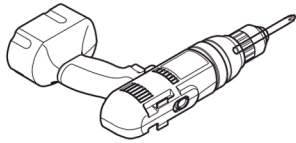


## Technical Data

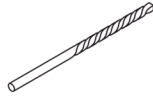


\*Numbers are in inches

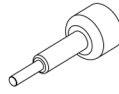
### TOOLS REQUIRED FOR ASSEMBLY



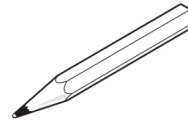
Electrical Drill



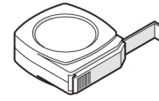
Drill Bit



Bolt Bit



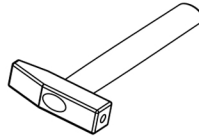
Pencil



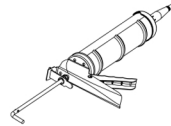
Tape Measure



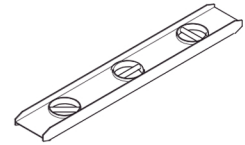
Phillips  
Screwdriver



Hammer



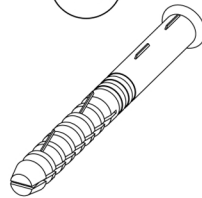
Silicone



Level

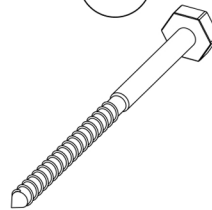
### FURNITURE

**A**



4 PCS

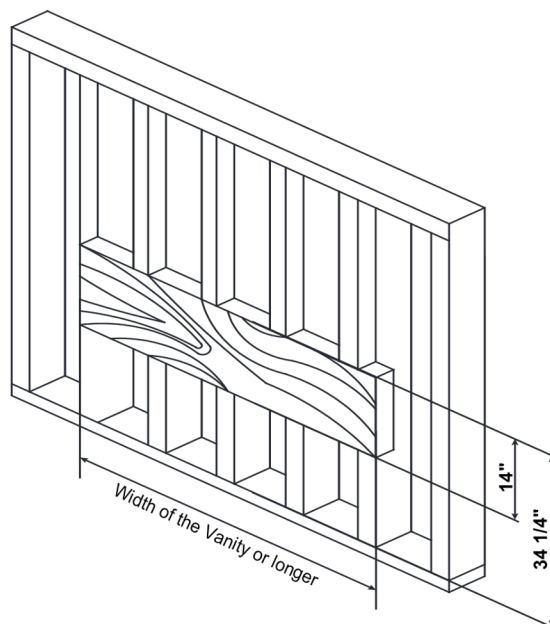
**B**



4 PCS

### Wall Preparation

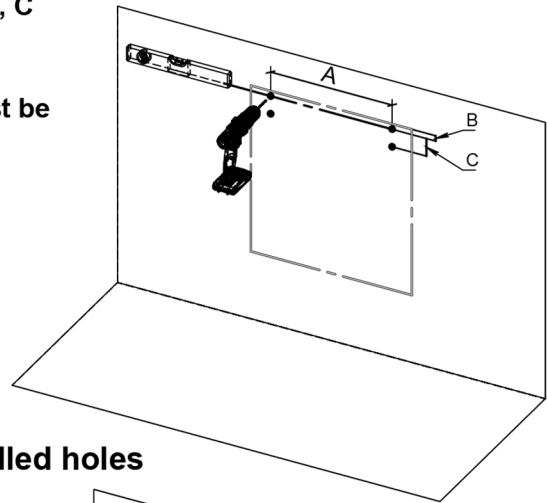
The recommended height for a console cabinet with sink is 33-1/2". This requires installing a 14" wide wood panel to a height of 34-1/4". If an alternate height desired, adjust the rough-in and backing material heights using the dimensions provided.



**STEP 1.**

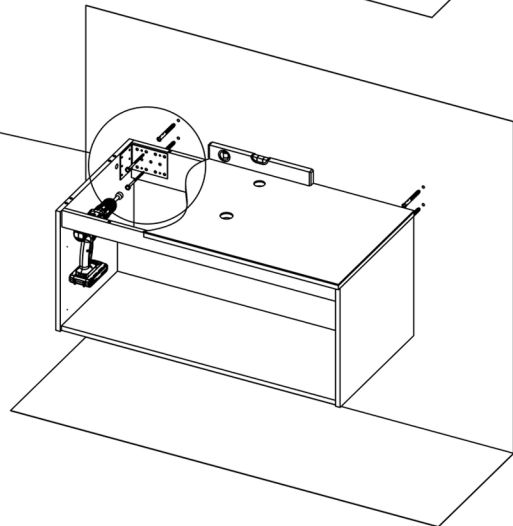
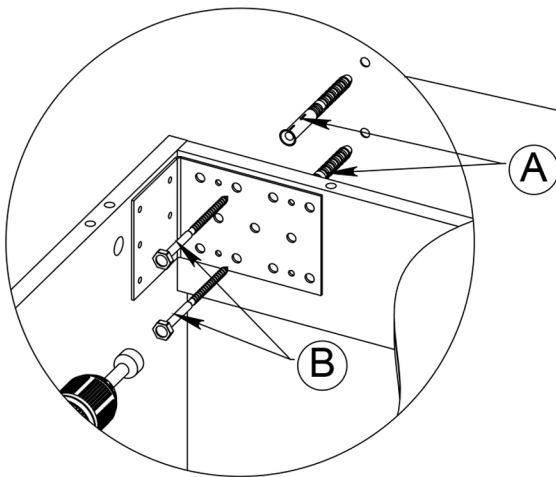
**Marking for the cabinet**  
Having decided on the location of the cabinet, we mark and drill holes in the wall measuring the distance A, B, C

**WARNING:**  
Before installing the cabinet must be removed drawers.



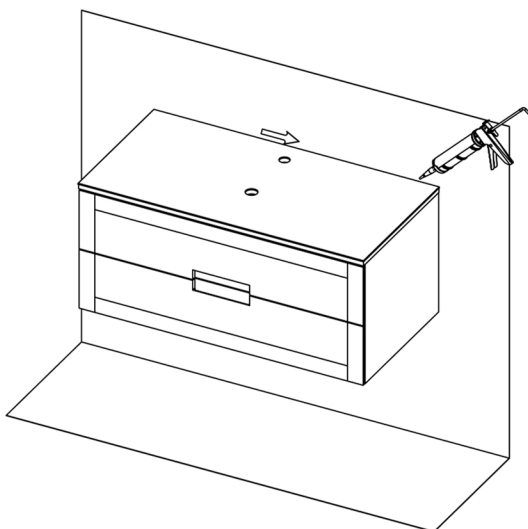
**STEP 2.**

**Install the cabinet on the drilled holes**



**STEP 3.**

**Fill the side against the wall with Silicone and finish**



**STEP 4.**

**Install sink top with Silicone**

